



KCG series

Simple and modern exterior design

The new generation of KCG series makes the command center seat more modern, in line with the combination scheme of single seat and multiple seats,

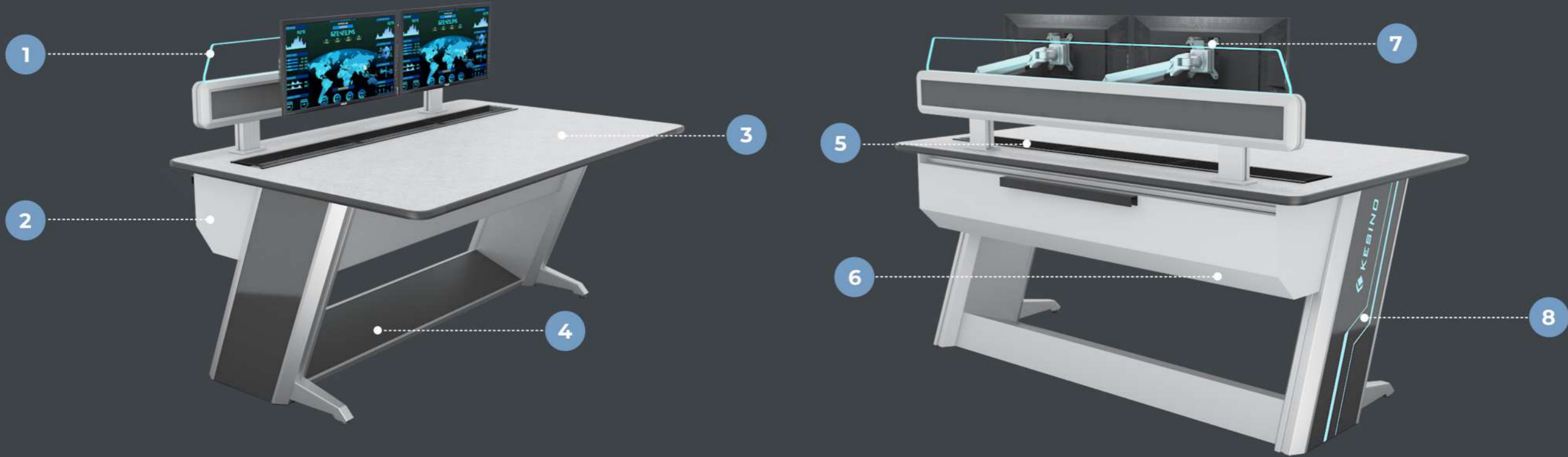




Service in various industries

Application of various scenarios





- 1/Acrylic luminescent screen
Acrylic screen that can emit light, and can also be sprayed with text and patterns according to requirements

- 3/E0 level desktop (Ousong board/Anti magnification board)
It has characteristics such as wear resistance, scratch resistance, high temperature resistance, and easy cleaning

- 2/Through type bottom cabinet space
Large installation space for easy maintenance

- 4/Foot pedal
Bottom accessible power cord

- 5/Outlet
Avoid messy power cords and facilitate cable management

- 7/Screen holder
The multi-directional adjustable display bracket can be fixed freely within the suspension, allowing for any increase at any time.

- 6/Cushion hinge rear swing door
The buffer hinge with anti pinch function makes the split back door more convenient to use and maintain.

- 8/Customizable pattern for side panels
Illuminated pattern on the side panel, exclusive appearance, highlighting nobility

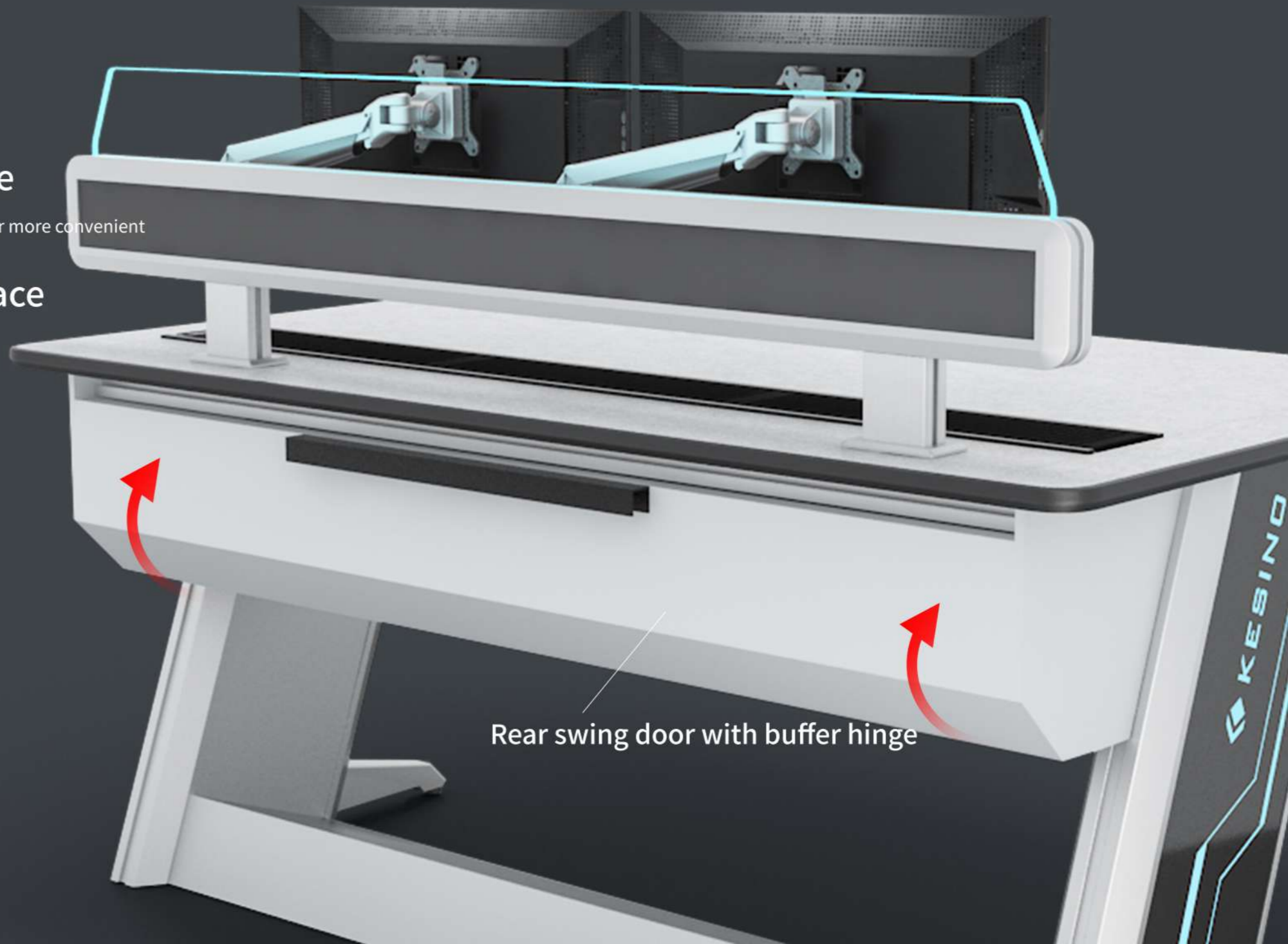
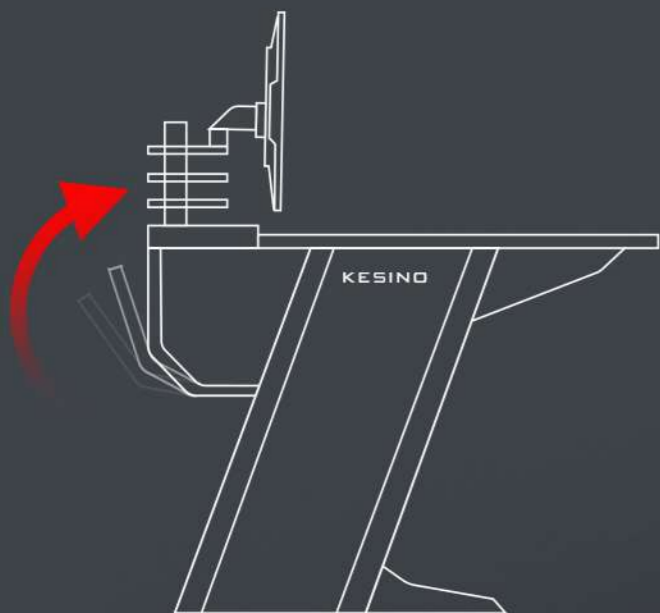
Functional Features 1

- **Rear swing door with buffer hinge**

The buffer hinge with anti pinch function makes the split back door more convenient to use and maintain.

- **Through type bottom cabinet space**

Large installation space for easy maintenance



Rear swing door with buffer hinge

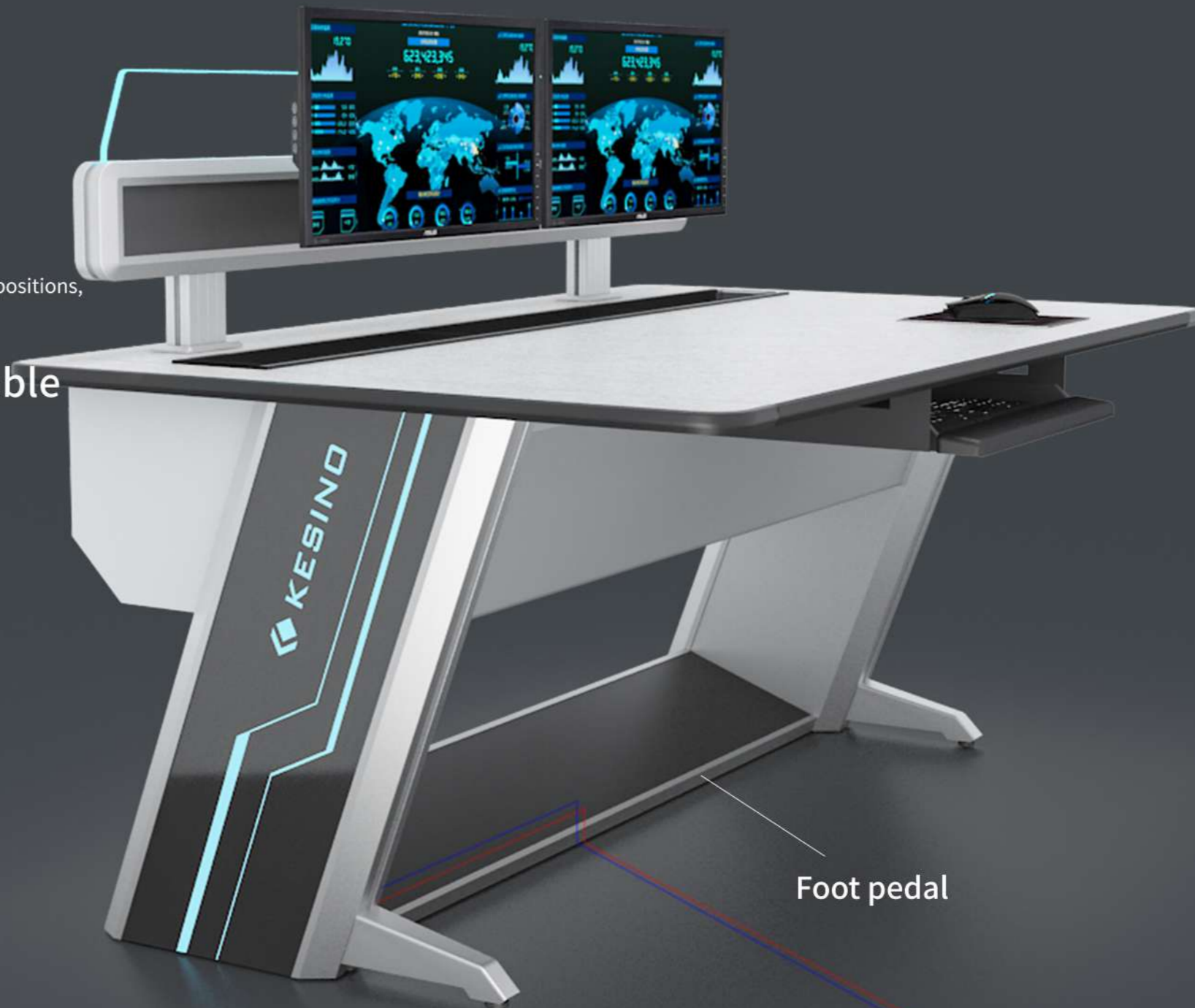
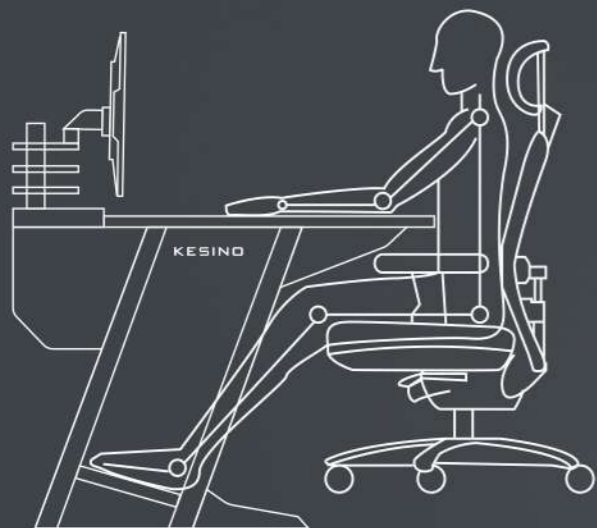
Functional Features 2

- **Special foot pads at the bottom**

Designed according to ergonomics, it can effectively use comfortable foot positions,

- **The inner layer of the pedal is the cable routing layer to avoid the trouble of**

The one-step cable routing management design saves you worry and effort.



Foot pedal

Functional Features 3

1 Luminous acrylic screen

Hidden hanging slot can fix the monitor bracket and multi-functional components

2 Hanging screen bracket

It can be fixed arbitrarily within the suspension, meeting the requirement of increasing at any



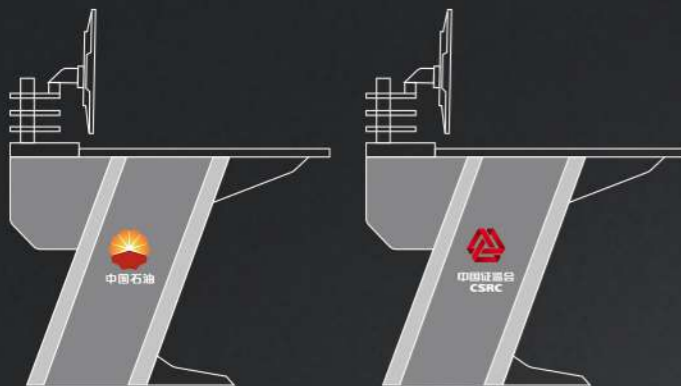
Functional Features 4

- **01/Customized pattern on the side panel**

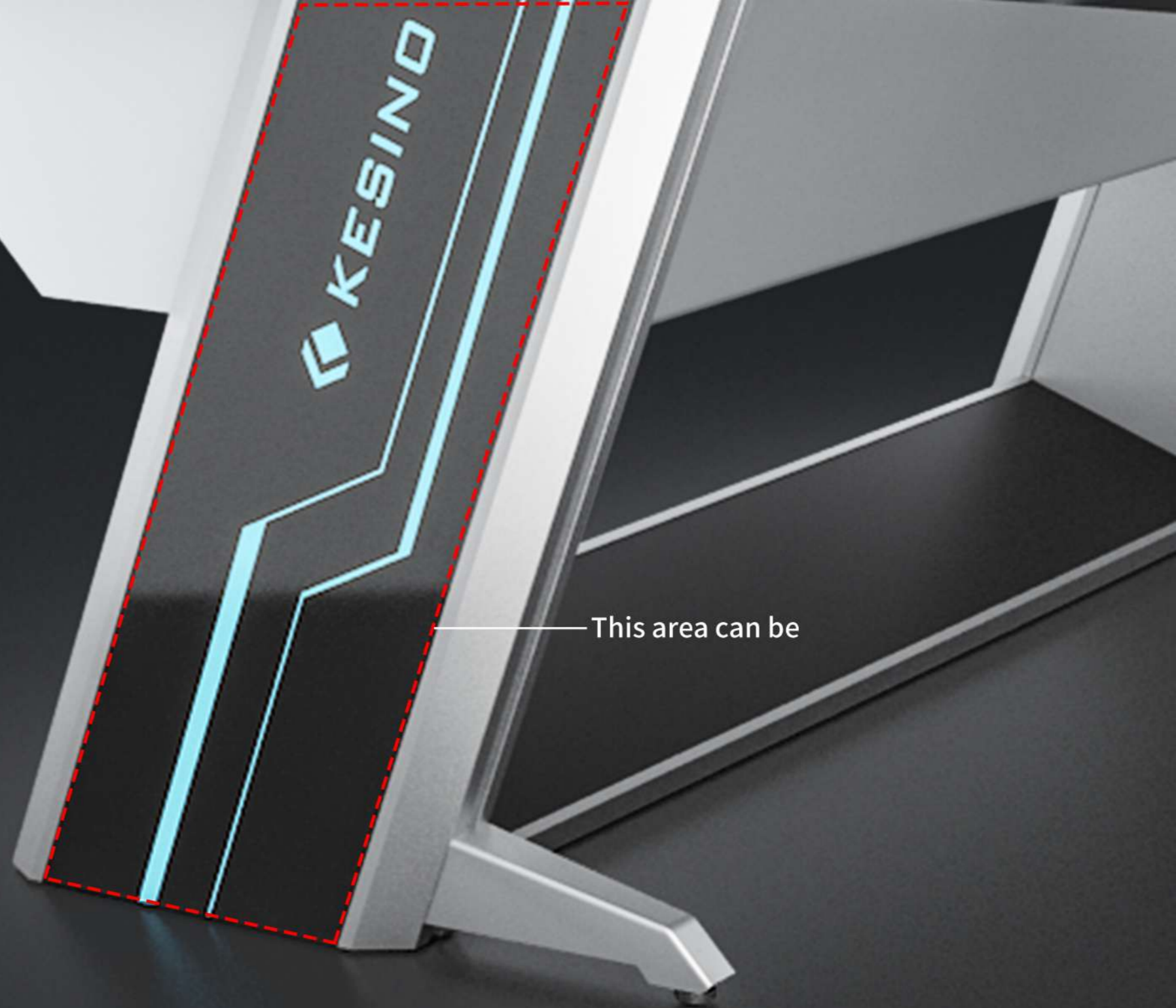
You can customize exclusive luminous patterns/LOGO, etc. according to your needs

- **02/Default technology sensitive ice blue**

12V acrylic light strip, providing ambient lighting with adjustable multi-color glare



(Example of customized logo)



Functional Features 5

Desktop: Adopting E0 level ecological

- Made of high-quality E0 grade (national standard E1) OSB European pine board as the base material, the surface is professionally processed with melamine, which has the advantages of wear resistance, scratch resistance, high temperature resistance, easy cleaning, and acid and alkali resistance. It has excellent moisture-proof and shrinkage

Available colors:



Warm White



Rat Grey



Sha Yan Ri



Walnut wood



Khaki

Polyurethane edge banding



Functional Features 6



Console frame: 6063-T5

Structural component: cold rolled

- High strength aluminum profile frame, with an overall deformation resistance three times higher than traditional control consoles and a load-bearing
- Corrosion resistant, acid and alkali resistant, never rusting, with a lifespan of 20 years without deformation



BEIJING KESINO ENGINEERING TECHNOLOGY CO., LTD

ADDRESS

BEIJING OFFICE
40-1905, TIANTONG YUAN,
CHANGPING DISTRICT,
BEIJING, 102218, CHINA

GUANGZHOU OFFICE
HELENBORG CREATIVE PARK,
XISHAN ROAD, PANYU DISTRICT,
GUANGZHOU, CHINA

KESINO FACTORY
TANGHE COUNTY, NANYANG
CITY, HENAN PROVINCE,
473410, CHINA

ONLINE
TELEPHONE: 4008313600
WEBSITE: WWW.KESINOCONSOLES.COM