

KCD-22

CONTROL ROOM CONSOLE PROVIDER



Excellent overall solution service provider for control center



This product for different professional command and control centers is not only more oriented, but also takes into account the different needs of different tasks. Combined with lighting design, it strengthens the linear texture of the space, reflects the beauty of the technology, meets the actual needs of different customer groups to the greatest extent, and makes the operation of command more safe, convenient and efficient.



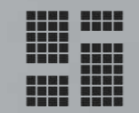
KCD series is a 7x24 all-weather technical console, combining contemporary design and ergonomic high performance technology, modular collocation of different shapes of the console, for later to add equipment and change the layout provides convenience, achieve the greatest flexibility.



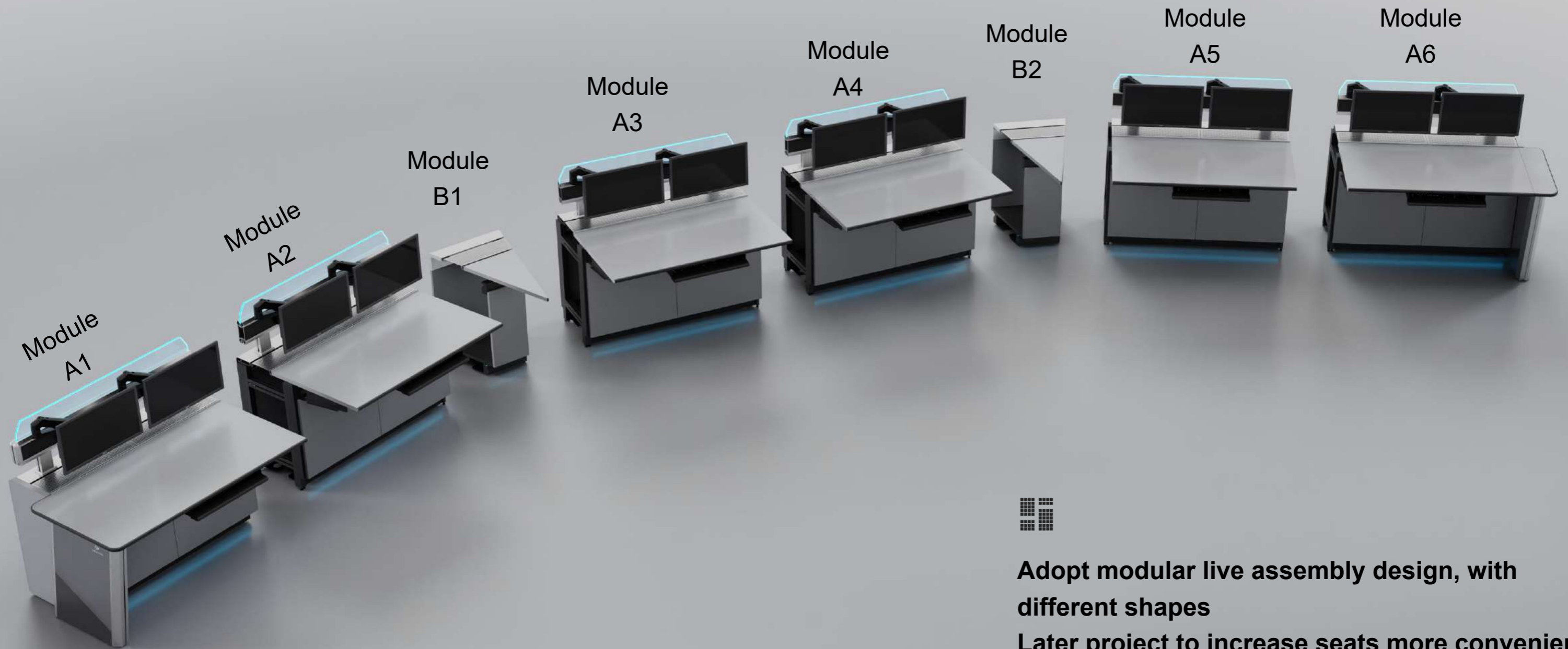
Design



Versatility



Modular connection



Adopt modular live assembly design, with different shapes
Later project to increase seats more convenient

Modularity with different shapes of the console, for later to add equipment and change the layout provides convenience, achieve maximum flexibility.





**Side panel appearance technology fashion
Exclusive custom brand image pattern**

Dazzling lines, scientific sense of ice blue light, vivid atmosphere, 12V acrylic lamp belt provides atmosphere light, multi-color dazzling light can be adjusted



**Atmospheric lighting system
Colorful lines, vivid atmosphere**

Dazzling lines, scientific sense of ice blue light, vivid atmosphere, 12V acrylic lamp belt provides atmosphere light, multi-color dazzling light can be adjusted





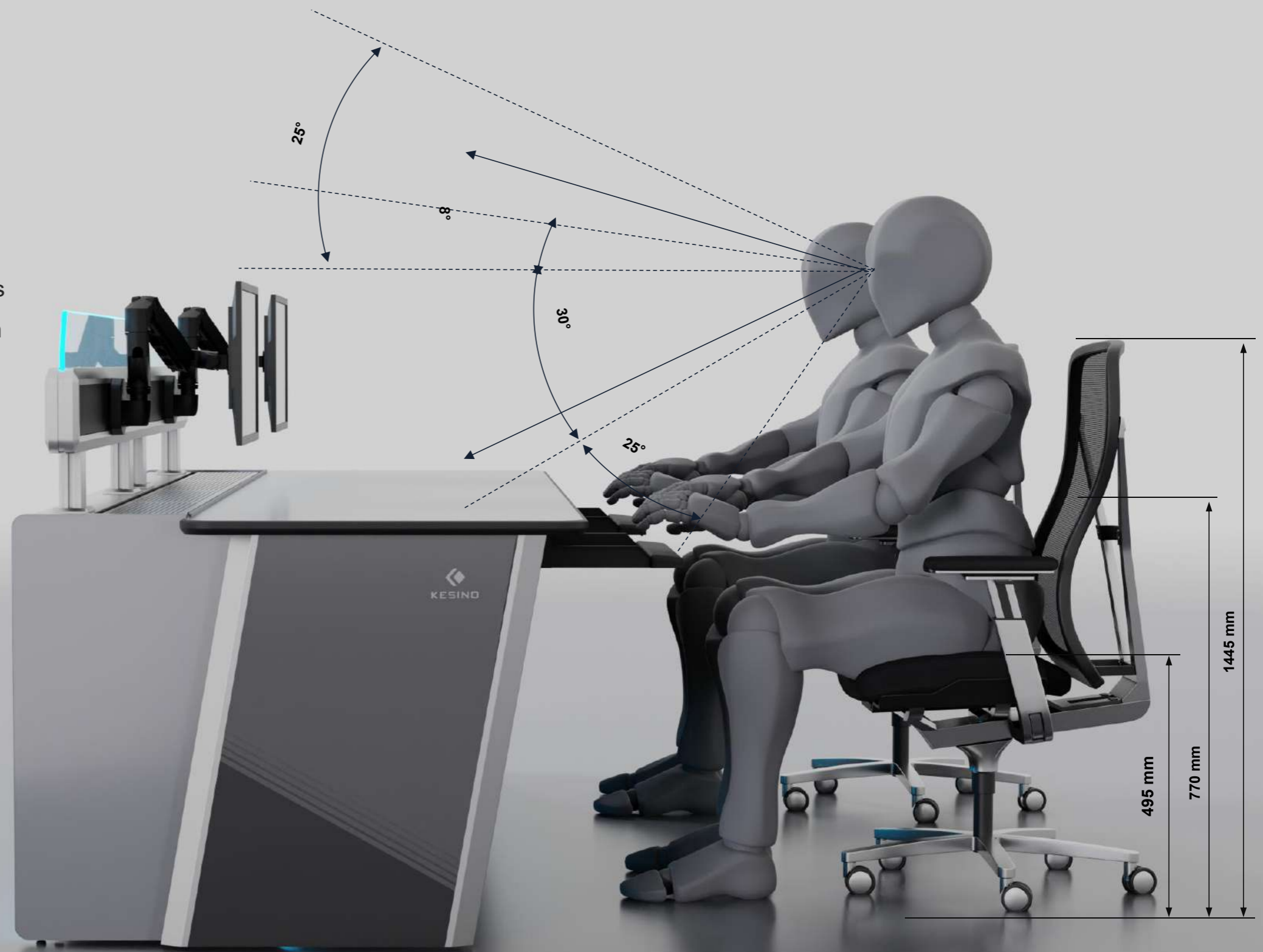
Leg anti-collision design
Anti-kick function, more comfortable legs

Equipped with atmospheric lighting, can accurately show leg placement space
Prevent leg collision with the bottom cabinet



Visual ergonomic design Efficient and comfortable office

Health, comfort, efficiency three factors are always adhering to our product design philosophy. "Action creates form" is a design philosophy that provides solutions to operator postures.





YIELD [%]
36.18

UNPLANNED DELAY [MIN/HEAT]
74.15

UNPLANNED DELAY [MINUTES/HEAT]
28.66

UNPLANNED DELAY [MINUTES/HEAT]
18.4

YIELD [%]
87.78

2022-04-01	68.92 %
2022-04-02	81.33 %
2022-04-03	66.05 %
2022-04-04	75.11 %
2022-04-05	70.18 %
2022-04-06	68.79 %
2022-04-07	72.29 %
2022-04-08	97.86 %
2022-04-09	82.3 %
2022-04-10	63.89 %
2022-04-11	67.68 %



COM

ABC	124
YIELD	6
ABC	7
ABC	0
ABC	37224.09
ABC	0



YIELD [%]
36.18

UNPLANNED DELAY [MIN/HEAT]
74.15

UNPLANNED DELAY [MINUTES/HEAT]
28.66

UNPLANNED DELAY [MINUTES/HEAT]
18.4





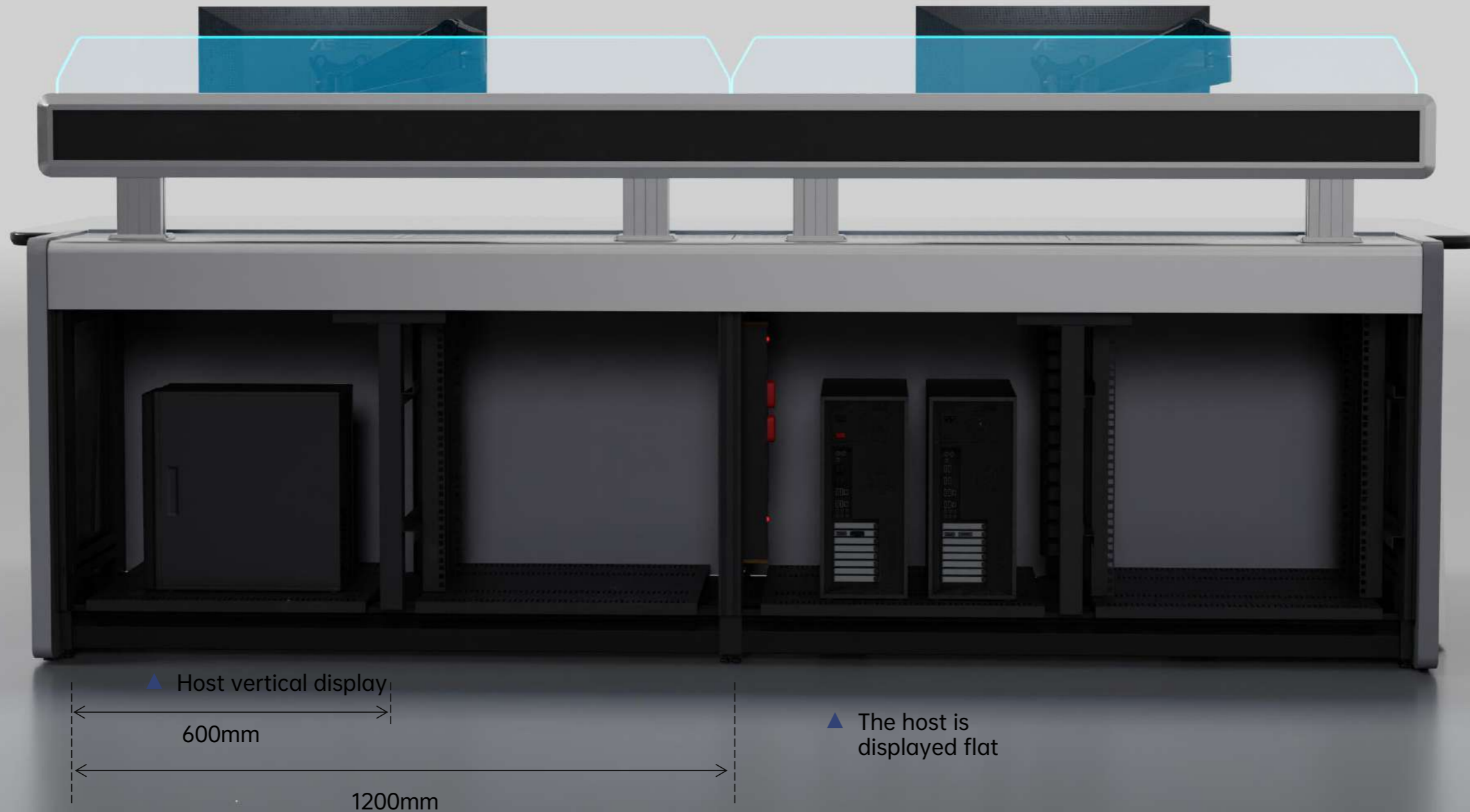
Desktop depth 700mm

**Adopt 20mm imported OSB board material as the table board
Polyurethane edge sealing 10mm**

With high-quality E0 grade (national standard E1) OSB European pine board as substrate, the surface of MELAMINE (MELAMINE) professional processing, with wear-resisting, scratch resistance to high temperature, easy to clean, acid and alkali resistance and other advantages
With excellent moisture-proof and anti-shrinkage deformation ability

**Through bottom cabinet space
Large size installation space, convenient maintenance**

The 500mm bottom cabinet space can accommodate 2-4 small main boxes.





500mm

**High Strength 6063-T5 Aluminum Alloy Profile (60mm)
The weight is 200KG per meter**

The overall strength is three times higher than the traditional control, and the weight is twice as high, anti-corrosion, acid alkali, and no rust life for 20 years



Professional wiring process Short and smooth cable management system

- 1) Professional cabling channels are set inside the console to adapt to the overall system environment
- 2) Sufficient internal space can make the wiring standard neat, smooth, beautiful, reasonable and safe
- 3) With strong and weak current separation function, avoid mutual interference
- 4) Standard 19-inch equipment rack is optional inside, which is convenient for installation and routing of 19-inch standard equipment



Multifunction tank
Axial fans can be added to enhance heat
dissipation performance



Cooling system
Natural air cooling cooling system,
improve efficiency

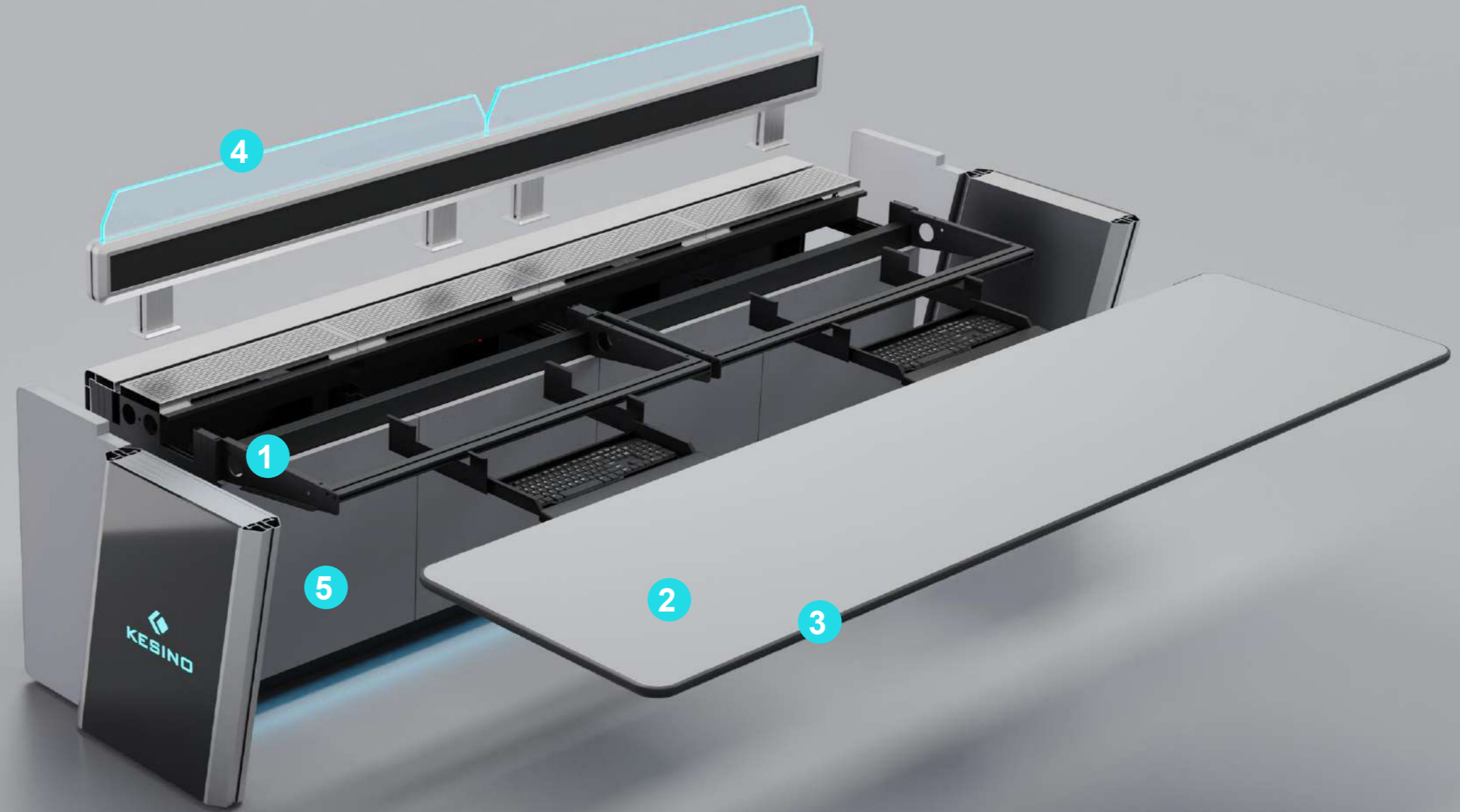
The console through the bottom of the intake hole and the top of the exhaust hole to form the console internal and external air heat exchange, the frame internal equipment heat discharged to the environmental medium, reduce the temperature of the equipment, and finally achieve the same purpose of heat dissipation with the environmental temperature.



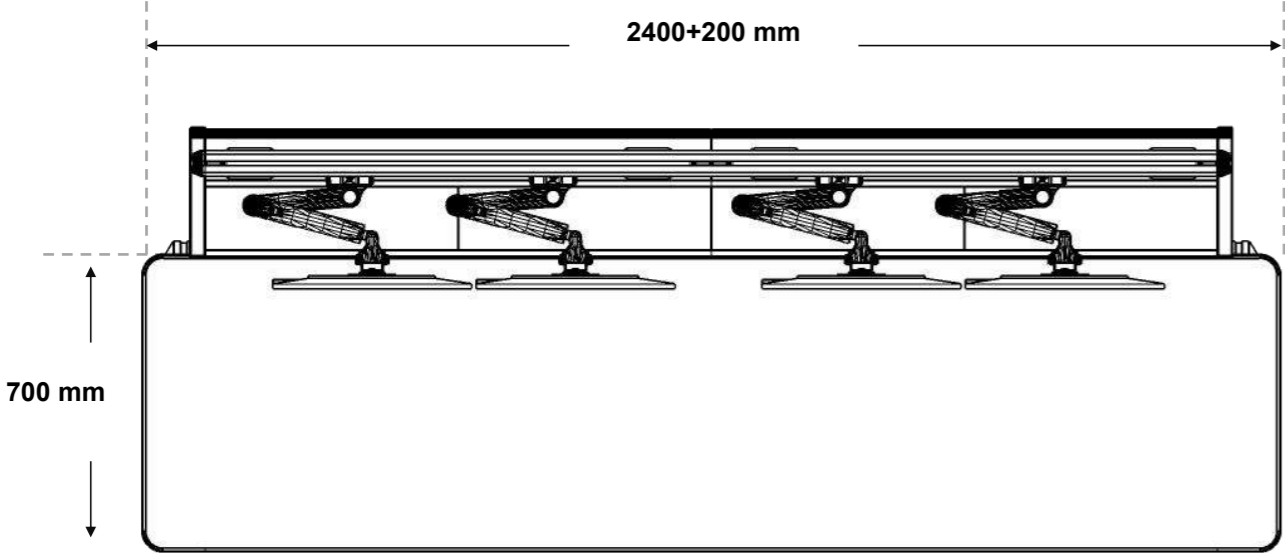
KESINO

Material description

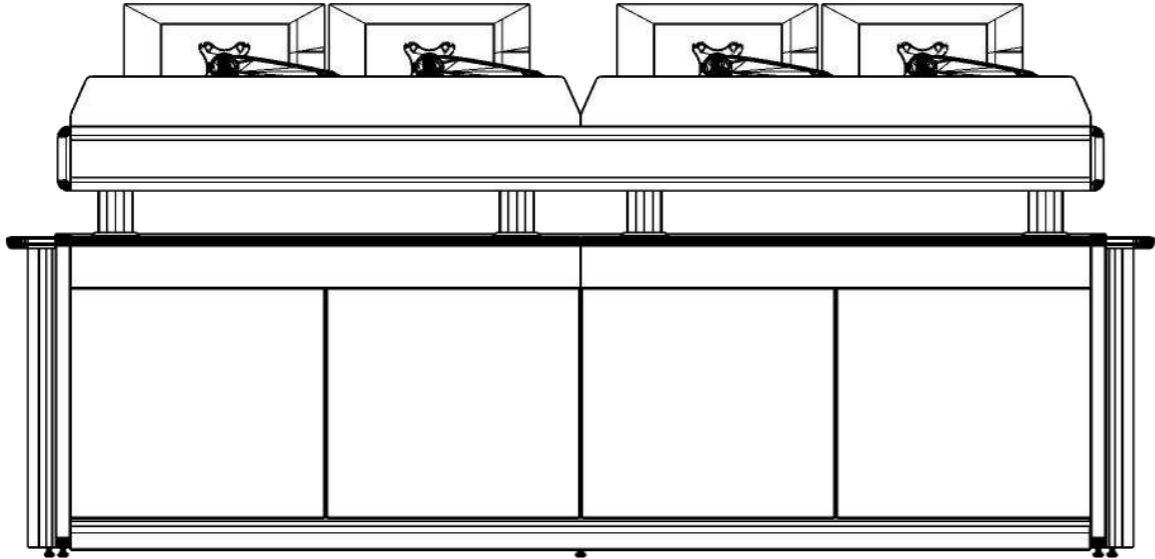
1. Main structure frame of aluminum alloy profile
(load-bearing capacity: 200KG per meter)
2. Import the OSB board
(25mm table top + Front rear door + side panel)
3. Polyurethane edge sealing
4. Acrylic light guide plate
(Side panel LOGO+ screen)
5. Cold rolled galvanized steel plate
(Host tray + Front rear door + side panel frame)



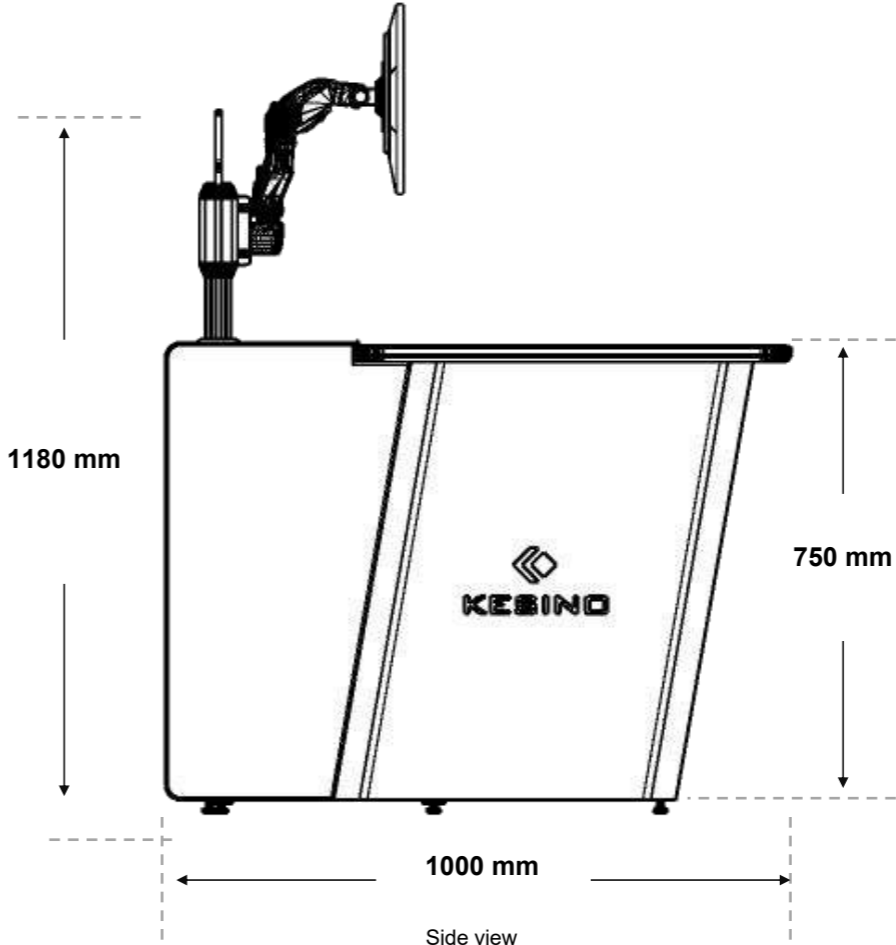
Dimension



Top view



Elevation map

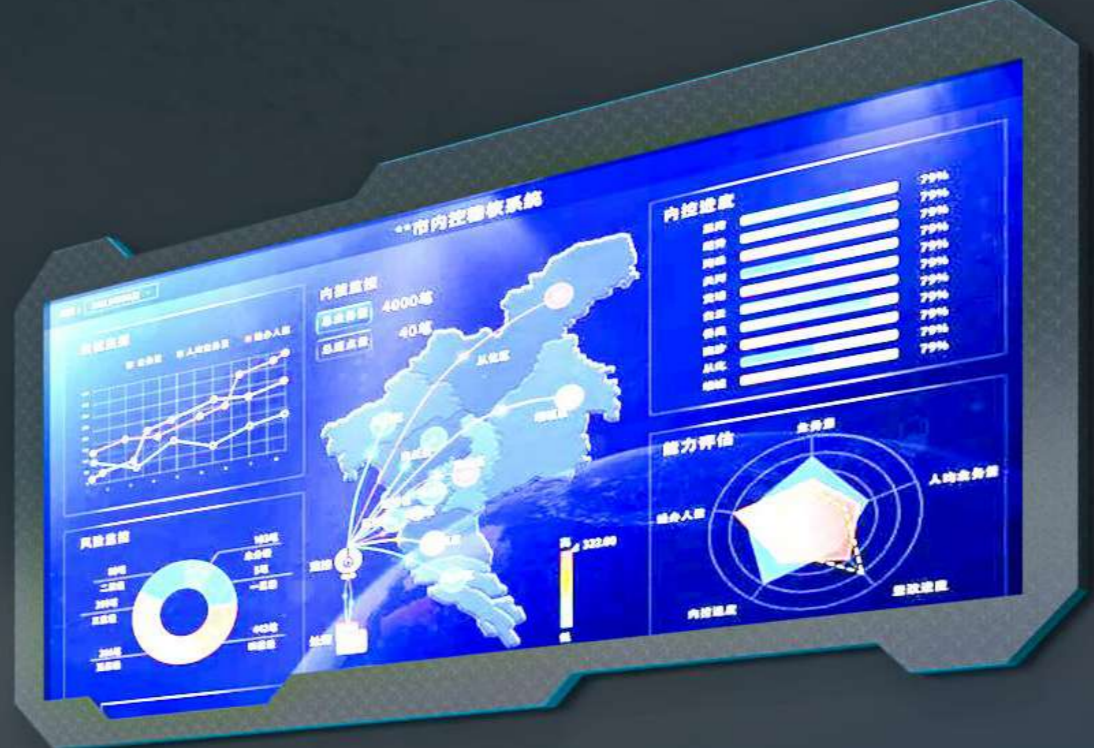


Side view

Table color selection



- 1630 Warm
White
(in stock)
- 4168
Grassland After
Snow (stock
available)
- 1202 Iron Gray
- 3203 Light grey
- 3004 Teak







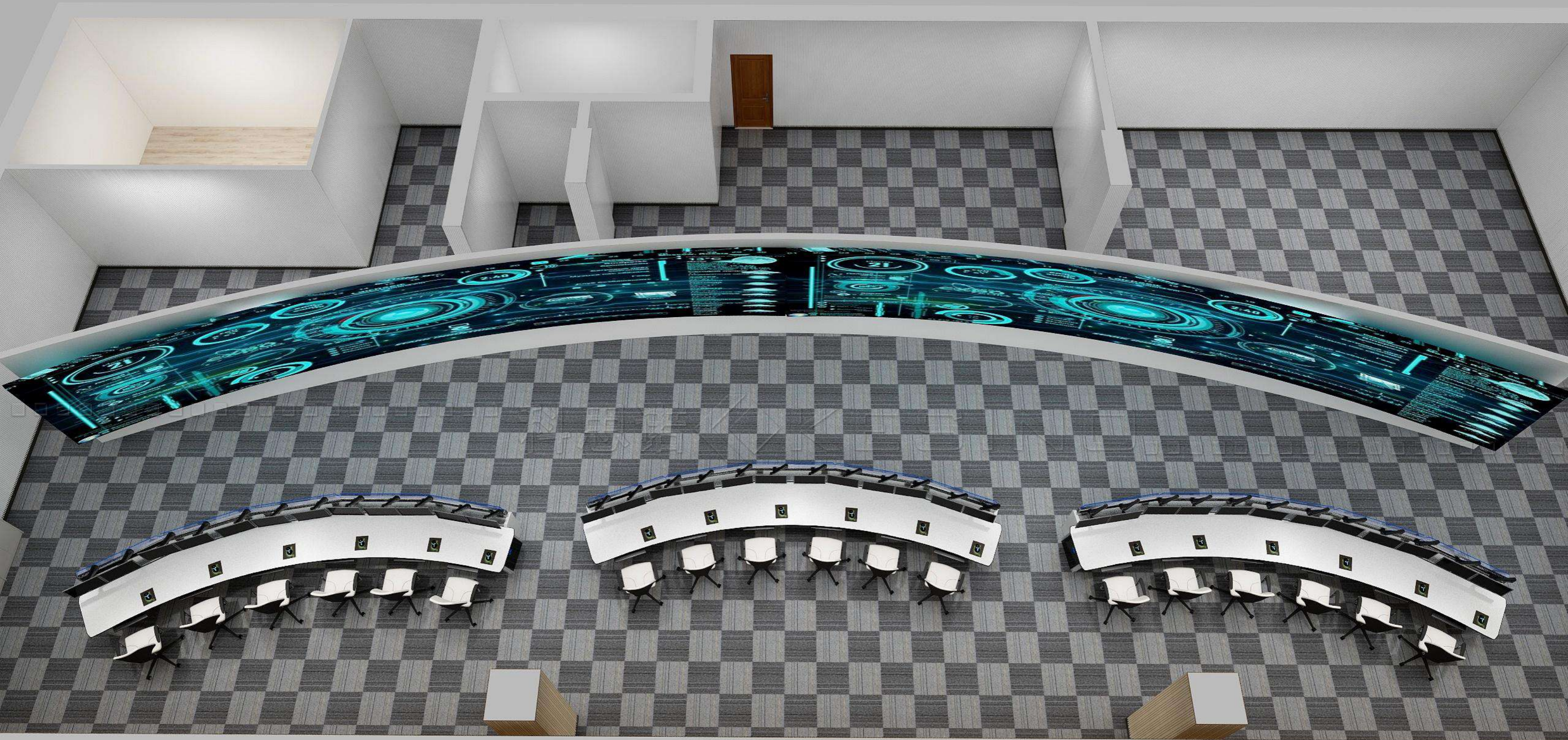
科思诺 KESINO

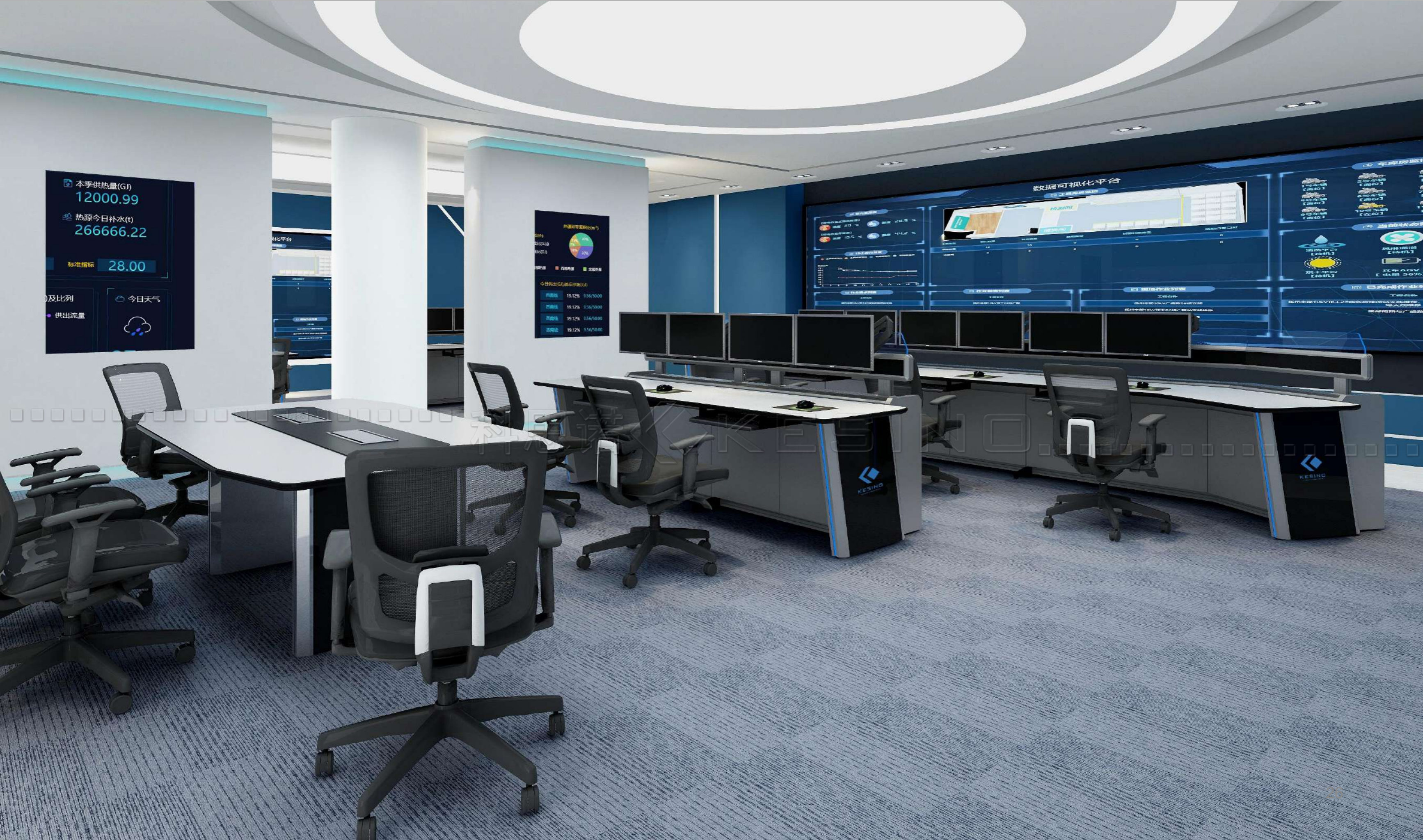












本季供热量(GJ)
12000.99

热源今日补水(t)
266666.22

标准指标 28.00

今日天气

供出流量

热源效率图(%)

热源效率	19.12%	156/5000
热源效率	19.12%	156/5000
热源效率	19.12%	156/5000
热源效率	19.12%	156/5000

数据可视化平台

实时监控仪表盘

能源消耗趋势图

系统运行状态

报警与事件记录



BEIJING KESINO ENGINEERING TECHNOLOGY CO., LTD

ADDRESS

BEIJING OFFICE
40-1905, TIAN TONG YUAN,
CHANGPING DISTRICT,
BEIJING, 102218, CHINA

GUANGZHOU OFFICE
HELENBORG CREATIVE PARK,
XISHAN ROAD, PANYU DISTRICT,
GUANGZHOU, CHINA

KESINO FACTORY
TANGHE COUNTY, NANYANG
CITY, HENAN PROVINCE,
473410, CHINA

ONLINE
telephone: 4008313600
WEBSITE: WWW.KESINOCONSOLES.COM